

MODEL : TURBIDRON BOBIN SARGILI - 2000

PRODUCT CODE : 021721

FILTRATION AREA : 3,14m<sup>2</sup>

FILTER DIAMETER : 2000 mm

VOLUME:4400L

FILTRATION MEDIA : 0,4 - 0,8 mm

OPERATION PRESSURE : 2,5 kg/cm<sup>2</sup>

TEST PRESSURE : 4 kg/cm<sup>2</sup>

FLOW RATE:157 m<sup>3</sup>/h

FILTRATION RATE : 50 m<sup>3</sup>/h/m<sup>2</sup>

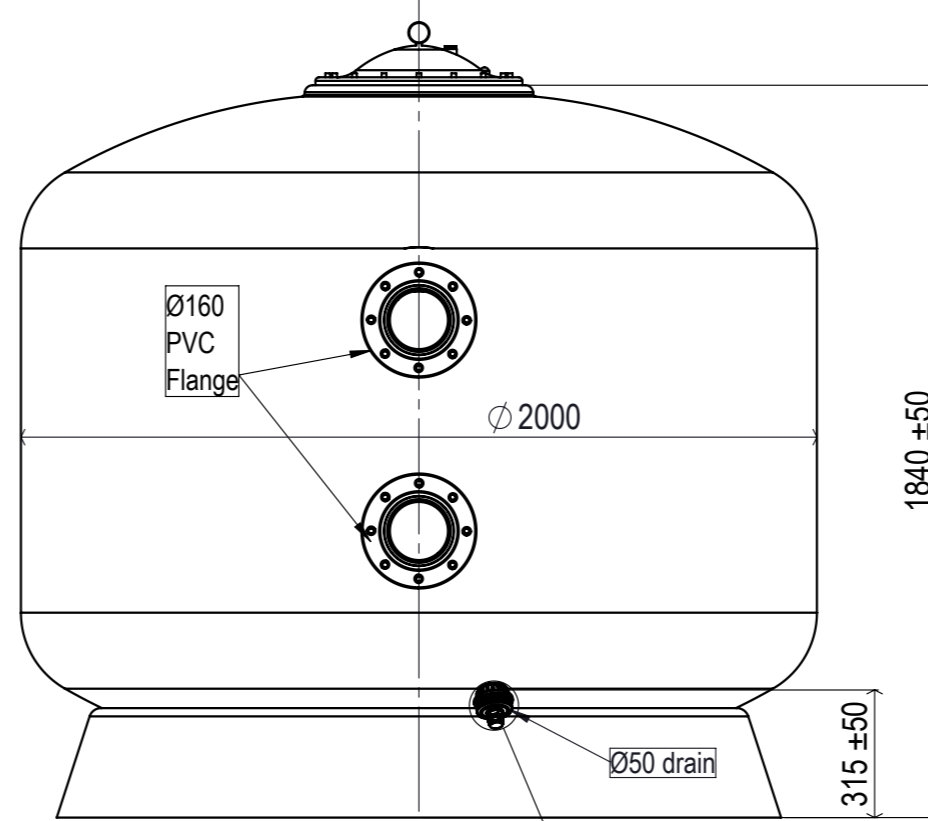
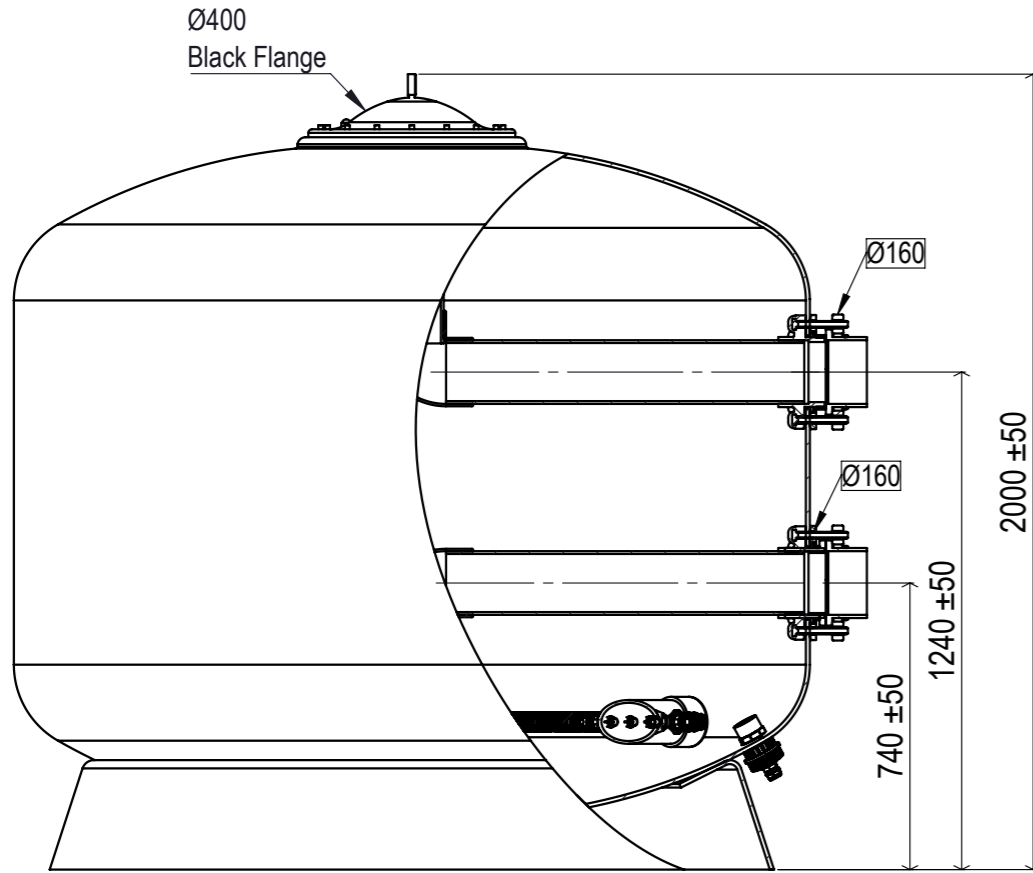
PRODUCT YEAR :

PERMISSIBLE TEMPERATURE : 40°C

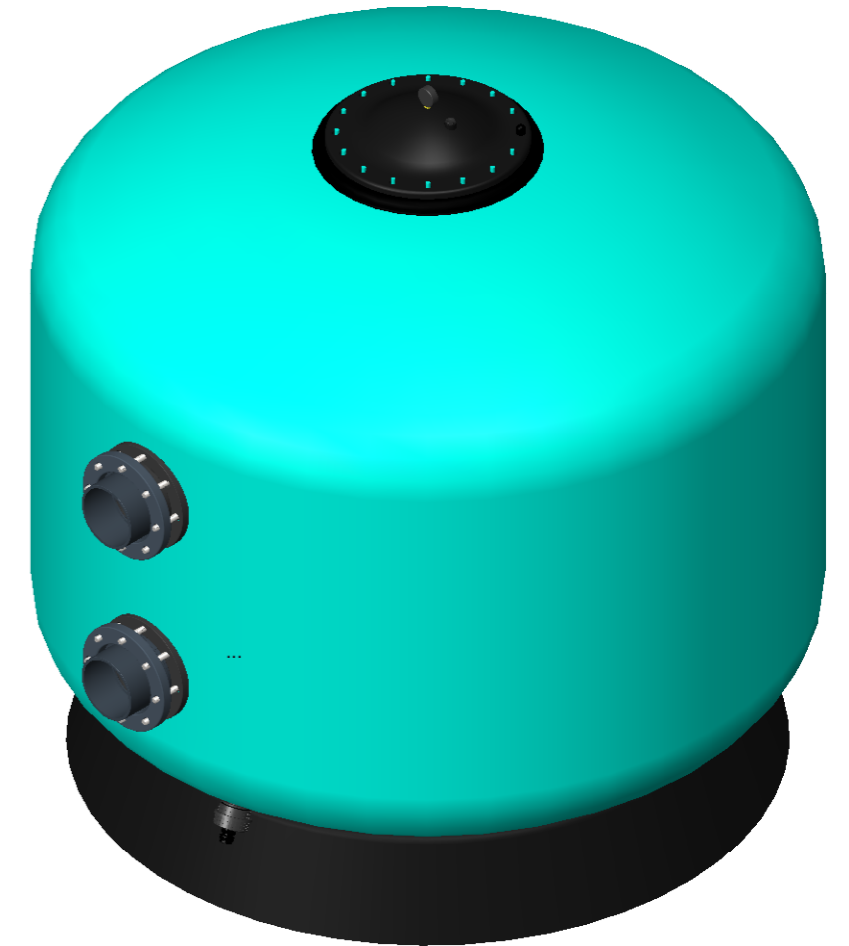
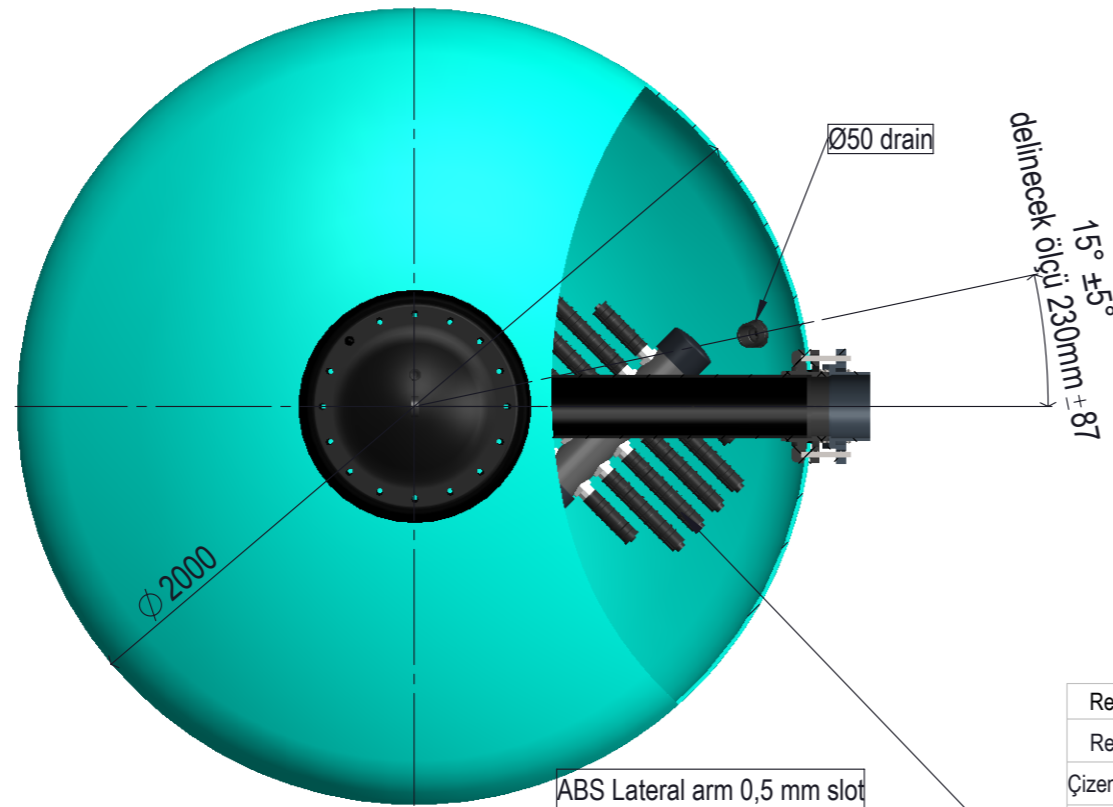
COLOR CODE :

CUSTOMER NAME :

SİPARİŞ NUMARASI :



DETAIL



Rev. No / Rev. No	Rev. Tarihi / Rev. Date	Revizyon Notu / Revision Note	Rev.Ad-Soyad / Rev.Name-Surname	İmza / Signature
Revizyon / Revision	Tarihi / Date	Ad-Soyad / Name-Surname	İmza / Signature	Ağırlık (gr) / Weight (gr)
Çizen / Designed By	17.03.2024	MELTEM KILIÇ		Ham / Rav İşlem / Net
Denetleme / Inspection By	...	ERCAN CENGİZ		Yoğunluk g/cm <sup>3</sup>
Kontrol / Checked By	...	İBRAHİM TOPRAK		Tür ...
Onay / Aproved By	...	İBRAHİM KAYA		Malzeme / Metarial
Ölçek / Scale: 1/18	Parça Adı / Part Name	Turbidron Bobin Sargılı Kum Filtre D.2000		Form / Form
				Numune Görünüşü

